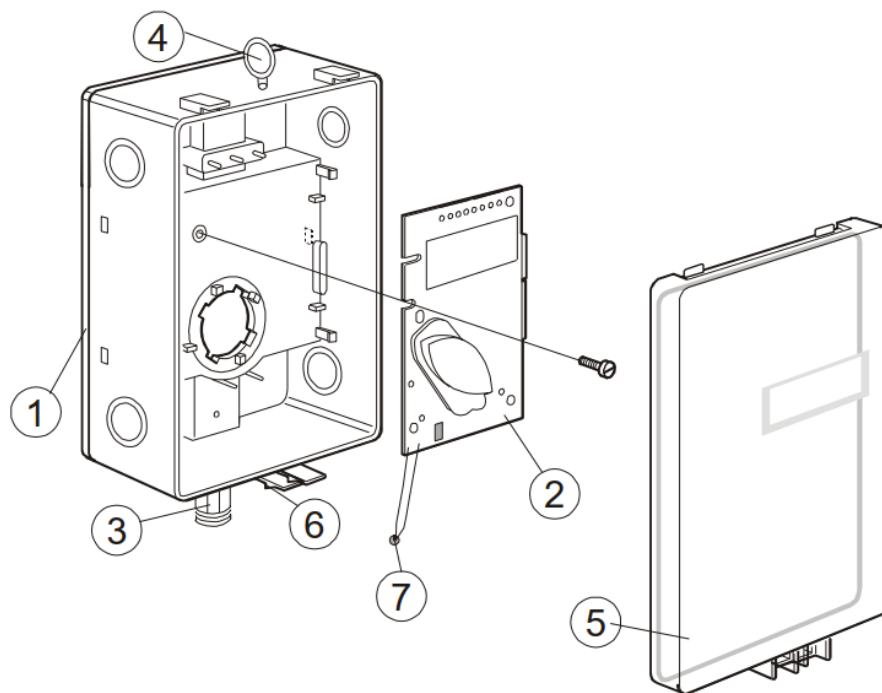


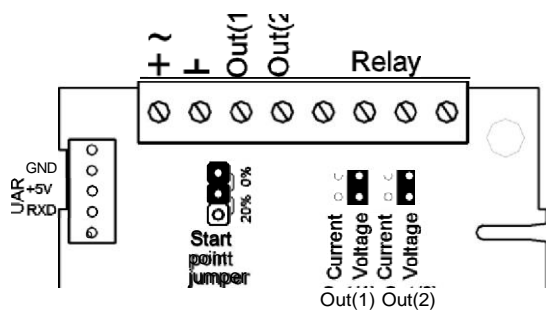
Installation Manual

GT3101

CO2 transmitter with relay
for use in greenhouses



- 1 Back plate
- 2 PCB (mounted in the box at delivery)
- 3 PG7 Cable entry bushing
- 4 Attachment loop
- 5 Snap-in lid
- 6 Lid locking screw (not shown)
- 7 Temperature sensor



Terminals and jumpers on GT3101. The darker positions are default settings

Electrical connections



The power supply has to be connected to \sim and $+$ and \perp is considered as system ground. If the analogue output is connected to a controller the same ground reference has to be used for the GT3101 unit and for the control system! Unless different transformers are used, special precautions need to be taken.

NOTE! The GT3101 signal ground is not galvanically separated from the GT3101 power supply!

The same ground reference has to be used for the GT3101 unit and for the control system!

Connect the power after mounting. The analogue output should be connected before measuring.

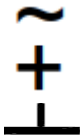
Connection Terminal	Function	Electrical Data	Remarks
	Power (+)	24 VAC/DC+ (+-20%), 3W	2W without output load
	Power ground (-)	24 VAC/DC-	See note 1!
Out(1)	Analogue Output 1 (+)	0-10 VDC or 0-20 mA, 2-10 VDC or 4-20 mA,	According to positions of OUT1 and start point jumpers. See note 2!
Out(2)	Analogue Output 1 (+)	0-10 VDC or 0-20 mA, 2-10 VDC or 4-20 mA	According to positions of OUT2 and start point jumpers. See note 2!
5	Signal Ground (-)	Connected to G0 via PTC fuse	See note 1!
6	Normally open relay	Contact free relay minimum load 1mA/5V rated load 0,5A/125VAC; 1A/24VDC	Triggered by register OUT3
7			
8	Not used		

Table 1: Electrical connections

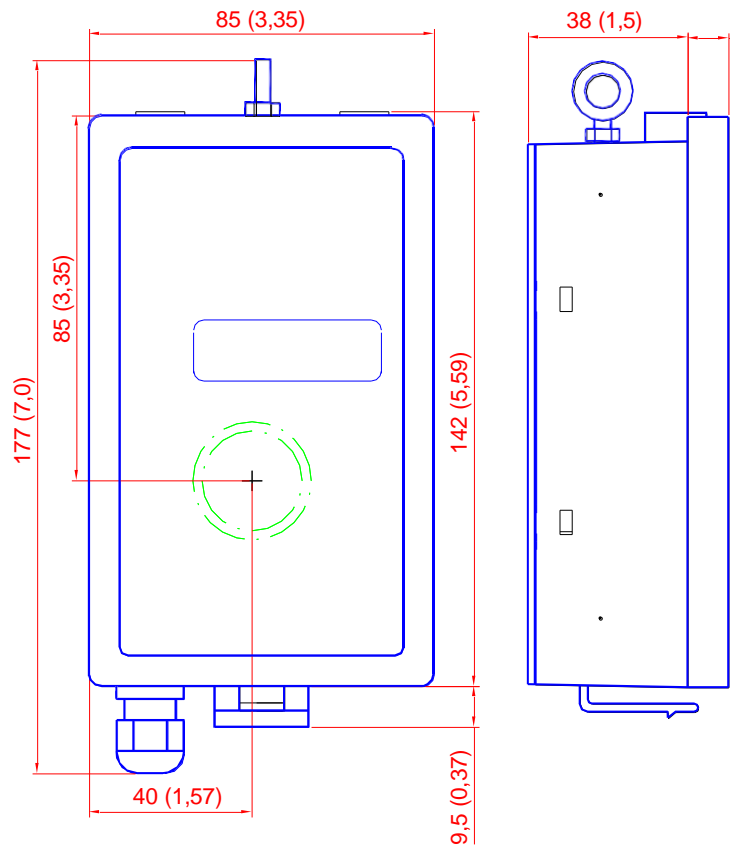
Note 1: The ground terminal is used as negative power supply DC input or AC phase ground G0 (halfwave rectifier). The signal ground M, protected by a PTC resistor, is the same as power ground G0 (permitting a "3-wire" configuration). A single transformer may be used for the entire system.

Note 2: GT3101 can deliver a voltage or a current loop for OUT1 and OUT2. To change between voltage and current output mode the hardware jumpers are used. There is one jumper for OUT1 and one for OUT2, so that one output can be a voltage output and the other a current output. Both, voltage output and current output, can have start points 0 % (0-10 VDC or 0-20mA) or 20% (2-10 VDC or 4-20mA). The same start point is used for both outputs. See the function manual.

If for some reason the PCB must be removed it must be handed carefully and protected from electrostatic discharge! Normally, removing the PCB is not required.

Never feed more than one cable through each cable entry bushing.

The lid can be locked with the screw at the bottom of the sensor box.

**Postadress:**

TRÄDGÅRDSTEKNIK AB
Helsingborgsvägen 578, Varalöv
262 96 ÄNGELHOLM

Telefon : 0431-222 90
Bg.nr : 5743-7980
Org.nr : 556409-6120

URL:

www.tradgardsteknik.se
E-postadress:
info@tradgardsteknik.se